

# Water Supply

## Pressure Systems

### Horizontal Multistage Pumps

#### CM Series



Domestic



Irrigation



Agricultural



Industrial



Firefighting



Water Treatment

A robust pump designed to give higher performance and longer operating life. The CM Series features stainless steel inlets and outlets.

Available in single phase or three phase, the CM Series feature the CM2 and CM4 ranges.

Pressure system combinations:

- **Pressure Controller (single phase only)**
- **Pressure Tank (single or three phase)**

#### Advantages

- High performance - quiet operation
- Continuously rated
- Dry run protection with the UP-PC
- Easy installation
- Supplied with lead, plug and start/stop switch (not hard wired)
- Each unit individual wet-tested to guarantee reliable operation

#### Construction

- Strong, corrosion resistant stainless steel pump construction
- Cast stainless steel inlets and outlets
- Motor protection IP55
- 2-pole induction motor
- Thermal overload protection with single phase models
- Single phase: 240V/50Hz
- Three phase: 415V/50Hz

#### Operating Conditions

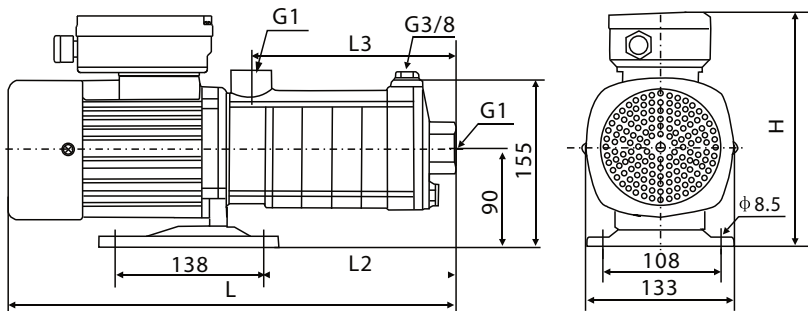
- Liquid temperature from 20°C to 70°C
- Hot water less than 105°C
- Maximum environmental temperature to 50°C



UP-CM4

**TWO YEAR  
WARRANTY**

## CM2 Range



Dimensions (mm)	L	L1	L2	H		Weight (kg)
				Single Phase	Three Phase	
UP-CM2-30	344	108	118	210	190	9
UP-CM2-40	362	126	136	210	190	9.5
UP-CM2-50	380	144	154	210	190	9.5
UP-CM2-60	398	162	172	210	190	10

Model - 1ph	Model - 3ph	Type of pressure control	Motor Output (P <sub>2</sub> ) (kW)	Max Total Head (m)	Total Head (m)								Connection Size BSP	
					15	20	25	30	35	40	45	50	Inlet (mm)	Outlet (mm)
		Output			Capacity (l/min)									
UP-CM2-30-1	UP-CM2-30-3	UP-PC – 1ph UP-PT	0.37	29	56	41	21						25	25
UP-CM2-40-1	UP-CM2-40-3	UP-PC – 1ph UP-PT	0.55	38		54	45	29					25	25
UP-CM2-50-1	UP-CM2-50-3	UP-PC – 1ph UP-PT	0.55	47			54	47	33	23			25	25
UP-CM2-60-1	UP-CM2-60-3	UP-PC – 1ph UP-PT	0.75	56				58	53	45	37	29	16	25

## Performance Curve CM2 Range

