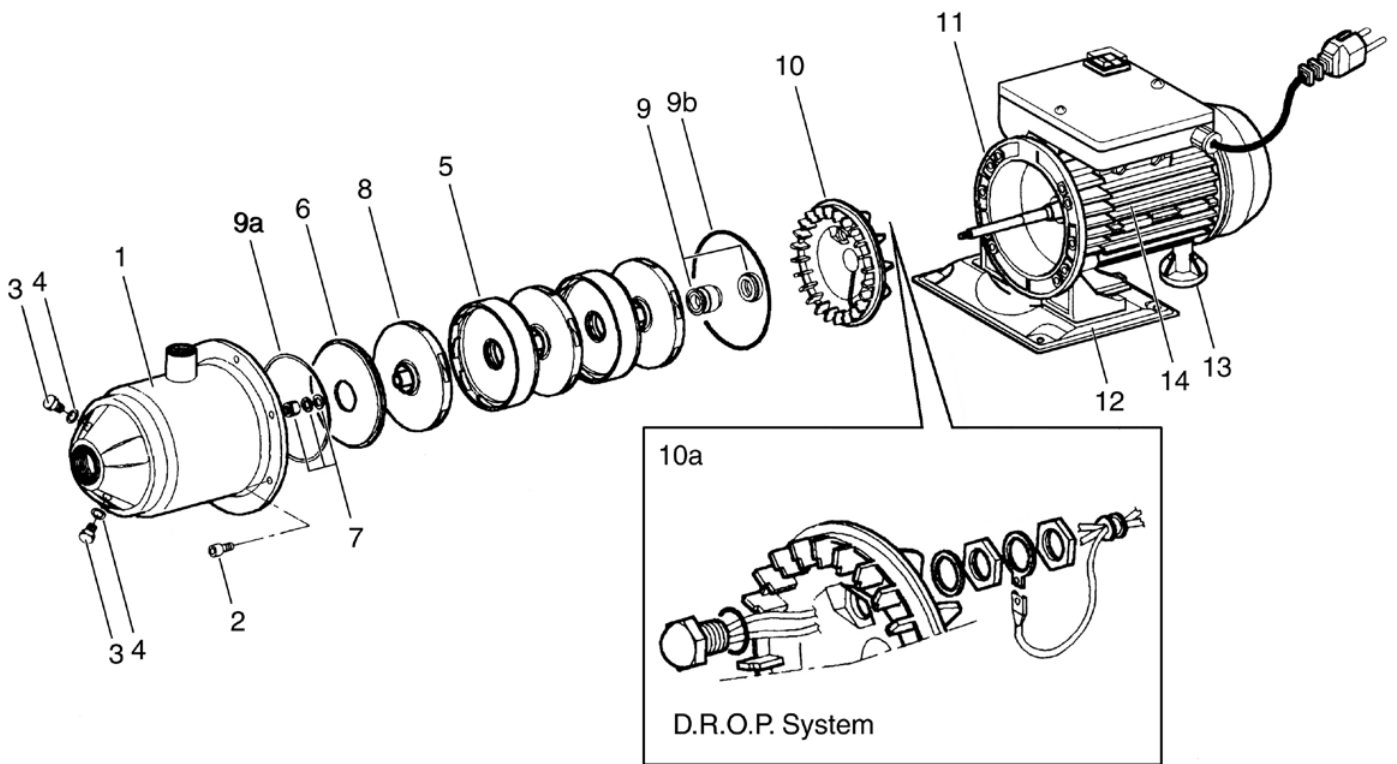


SMH Range Models

HOMEMASTER RANGE



PARTS LIST TABLE

SMH Range Models

MODEL		SMH35		SMH45		SMH55		SMH75		SMH90	
PART NUMBER		SMH350		SMH450		SMH550		SMH750		SMH900	
ITEM	DESCRIPTION	PART NUMBER		PART NUMBER		PART NUMBER		PART NUMBER		PART NUMBER	
1	PUMP CASING	723S0530	1PC	723S3200	1PC	723S3200	1PC	723S3200	1PC	723S3190	1PC
2	SCREWS (PK 8)	800907K	1PC	800907K	1PC	800907K	1PC	800907K	1PC	800907K	1PC
3	DRAIN PLUG	121P6090	2PC	121P6090	1PC	121P6090	1PC	121P6090	1PC	121P6090	1PC
4	DRAIN WASHER	121P0090	2PC								
5	DIFFUSER	101P4810	NO. STAGES	101P4810	NO. STAGES	101P4810	NO. STAGES	101P4810	NO. STAGES	101P4810	NO. STAGES
6	DIFFUSER KIT	801385K	1PC	801385K	1PC	801386K	1PC	801386K	1PC	801386K	1PC
7	LOCKNUT & WASHER KIT	800902K	1PC	800902K	1PC	800902K	1PC	800902K	1PC	800902K	1PC
8	IMPELLER	101P2040	NO. STAGES	101P2040	NO. STAGES	101P2040	NO. STAGES	101P2050	NO. STAGES	101P2050	NO. STAGES
9	SEAL KIT	800880K	1PC	800880K	1PC	800880K	1PC	800880K	1PC	800880K	1PC
10	BAFFLE ONLY	101P2980	1PC	-	1PC	-	1PC	-	1PC	-	1PC
10a	BAFFLE WITH DROP SYSTEM	-	1PC	751S2270	1PC	751S2270	1PC	751S2270	1PC	751S2270	1PC
11	BASE	ZB401770	1PC	ZB401770	1PC	ZB401770	1PC	ZB401770	1PC	ZB401770	1PC
12	LEAD & IEC PLUG (NS)	608160	1PC	608160	1PC	608160	1PC	608160	1PC	608160	1PC
13	MOTOR - COMPLETE 0.35kW 1PH	791S1330	1PC	-	1PC	-	1PC	-	1PC	-	1PC
	MOTOR - COMPLETE 0.45kW 1PH		1PC	ZBR04910	1PC	-	1PC	-	1PC	-	1PC
	MOTOR - COMPLETE 0.55kW 1PH		1PC	-	1PC	ZBR04920	1PC	-	1PC	-	1PC
	MOTOR - COMPLETE 0.75kW 1PH		1PC	-	1PC	-	1PC	ZBR04930	1PC	-	1PC
	MOTOR - COMPLETE 0.90kW 1PH		1PC	-	1PC	-	1PC	-	1PC	ZBR04940	1PC