

onga®

Pentair Water



Jet Assisted Pumps

1000 Series

JMM100

JS100

JSM100

JSK110

JS110

JSP110

JSK120

JS120

JSP120

We recommend, for additional protection, the pump to be supplied from socket outlet protected by a Residual Current Device – RCD (also known as an Earth Leakage Circuit Breaker – ELCB) with a maximum rated residual current of 30mA.

Should you the installer or owner be unfamiliar with the correct installation or operation of this type of equipment you should contact the distributor for the correct advice before proceeding with the installation or operation of this product.

Relax - you've bought an **ongá** ...

Congratulations on your decision to purchase an Onga product. Onga is one of the best know brands in its field, with a proud local and international reputation.

Onga is a brand for reliability, value for money and technological innovation. You will find Onga product wherever people need to move water in 3 broad markets covering:



Residential

Technologically advanced solutions for moving and treating water in the Home, Garden, Pool and Spa.



Agricultural

Innovative Stock and Crop water management solutions for Primary Industries.



Process

Water movement products for Building services, Emergency services and Original Equipment Manufacturers.

1. **Continual Product Improvement**

We employ the best engineers both in Australia and around the world to develop new and better ways to take water further.

2. **Operational Excellence**

There is only one standard that we set ourselves for both product quality and the quality of our service. That standard is excellence... to have no-one better than us at what we do... nothing short of that is acceptable. Our commitment to quality is reinforced with our ISO 9001:2000 accreditation.

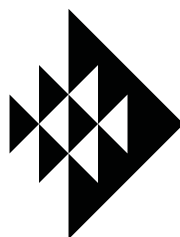


3. **A Fair Price**

Onga products are neither the cheapest nor the most expensive in their field. Our products do, on the other hand, always represent very good value for money; they always have and they always will.

4. **Our Team of Dealers**

The hand picked authorised Onga dealer network throughout Australia and worldwide are second to none. We invest considerable time and resources training and supporting them through the Onga Training Academy.



ongga[®]

Pentair Water

Table of Contents

Page

Model Data	4
Application	5
Installation	6
Operation	11
Service and Maintenance	13
Troubleshooting	14
Warranty	17

Model Data

Technical Information	JM	JS
Inlet Connection	1”BSP Male	1”BSP Female
Outlet Connection	1”BSP Male	1”BSP Female
Power Supply	230V	
Voltage Limits (+/- 10%)	207-253V	
Impeller (s)	Technopolymer	
Pump Case	Polypropylene	Stainless Steel
Pump Shaft	Stainless Steel	
Mechanical Seal	Carbon/Ceramic	
Motor	TEFC IP44	
Maximum Water Temp (°C)	40	50
Ambient Temp Range (°C)	1-50	

Application

Onga 1000 Series pumps are suitable for pumping clean water in a domestic water system, small irrigation applications, and general water transfer. The Onga 1000 Series Jet-Assisted pumps are fantastic at self-priming, easy to install, and come in a wide range of packages to suit almost any application.

Installation



The electrical installation shall be in accordance with the national wiring rules (AS/NZS 3000) for class 1, IP44 rated products.



These instructions are a guide only. Users not familiar with pumping equipment should seek advice from people experienced in pump equipment and installation.



Freezing conditions will damage the unit, because when water freezes it expands. Ensure that the pump is located so that it is not prone to freezing, or ensure that the product is disconnected and dried of water during cold conditions.



The pump is electrically connected. Ensure that it is isolated from electrical supply during installation and any subsequent service work.



The pump is designed to be used with clean water in a residential application. Do not use it with alternative fluids, abrasive, corrosive or explosive fluids. Do not install or operate your pump in an explosive environment or near combustible matter.



Incorrectly installed or tested equipment may fail, causing severe injury or property damage.



Fire and burn hazard. Modern motors run at high temperatures. To reduce risk of fire, do not allow leaves, debris, or foreign matter to collect around the pump motor. To avoid burns when handling the motor, let it cool for at least 20 minutes before trying to work on it. A thermal overload switch protects the motor for heat damage during operation.

Read the following instructions in this owner's manual when installing and operating equipment.

1. Preparation for Installation

Inspect your pump for shipping damage. Report any damage to your Onga Dealer. Make sure the suction piping is free of air leaks and is laid so that there can be no airlocks.

Warranty of these pumps is void unless they are operated in accordance with this owner's manual.

2. Pump Protection

The pump should be protected from the weather, floods, chemicals, dust, vermin, insects etc. It is highly recommended that the pump be housed in a weather proof, well vented enclosure. If the pump is not adequately housed the warranty may be deemed void.

IMPORTANT	<p>Connection with a mains Pressure Hot Water System <u>The maximum pump pressure specification is 600kPa. It is important that a reliable pressure relief valve (set to the maximum specification or lower) is installed between the pump control discharge and the mains pressure Hot Water Service.</u></p> <p><u>Failure to install this device may lead to product damage not covered by the manufacturers warranty.</u></p>
------------------	--

3. Pipe Installation

Pumps can be damaged if care is not taken when connecting pipes. Pipes should be supported so that the pump casing is not strained by the weight or misalignment.

We recommend the pump and pipe are coupled using flexible type polythene pipe, rubber hose or a multi-directional barrel union. This union coupling can also be used to remove the pump for service should it be necessary without having to cut pipes.

Pipe fittings should be carefully screwed onto the pump making sure not to cross-thread or overtighten. We recommend the use of a moulded pipe fitting to connect to the pump as this avoids possible damage to the pump threads and unnecessary replacement of parts.

For best results use teflon tape to join seal joint. Satisfactory sealing can be achieved by hand tightening fittings ensuring that no leaks are evident once under pumping pressure.

4. Locating the Pump

Find a location for your pump as close to your water source as possible.

Ensure that this location is on a separate footing from your home. To do this you can mount the pump on a concrete tile or concrete base.

5. Power Source

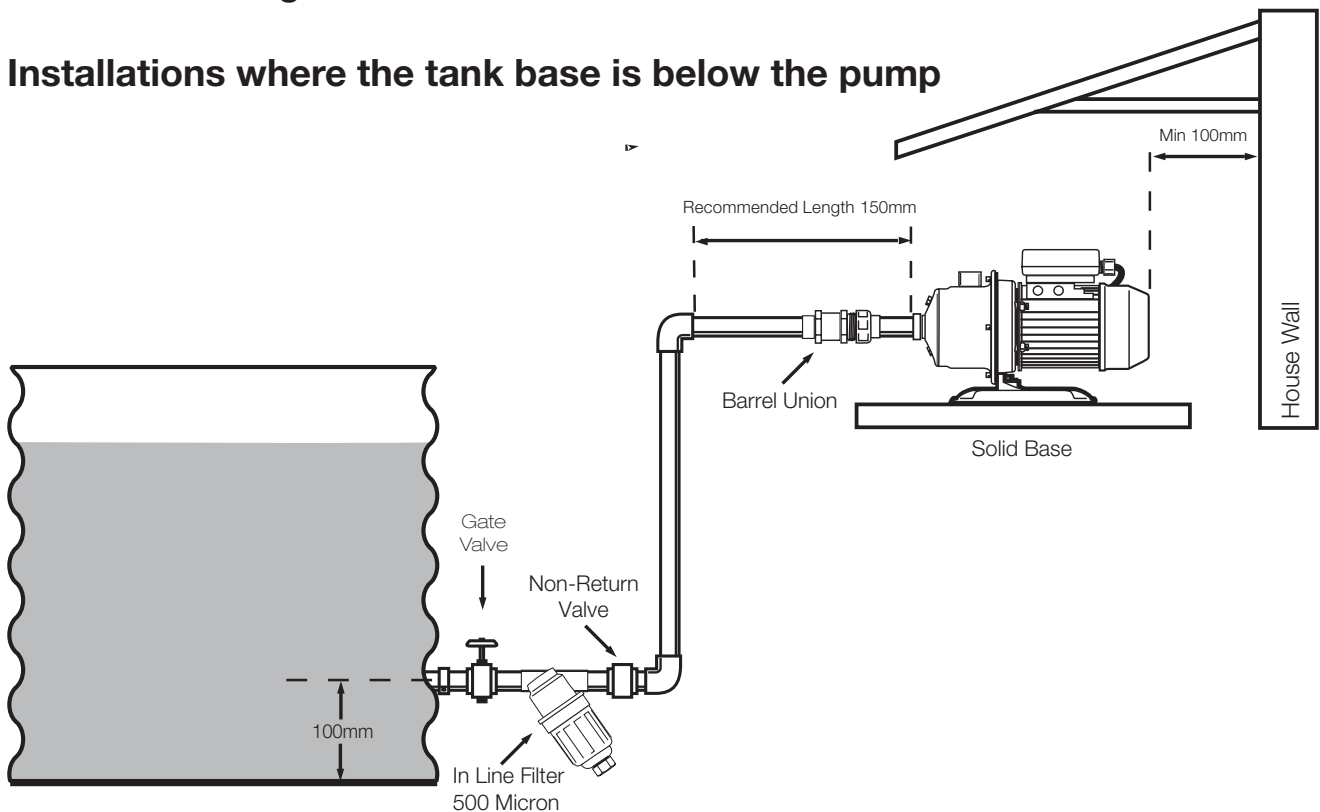
Arrange for an electrician to install an outdoor 10A GPO electrical outlet near the pump if there is not one there already.

6. Suction

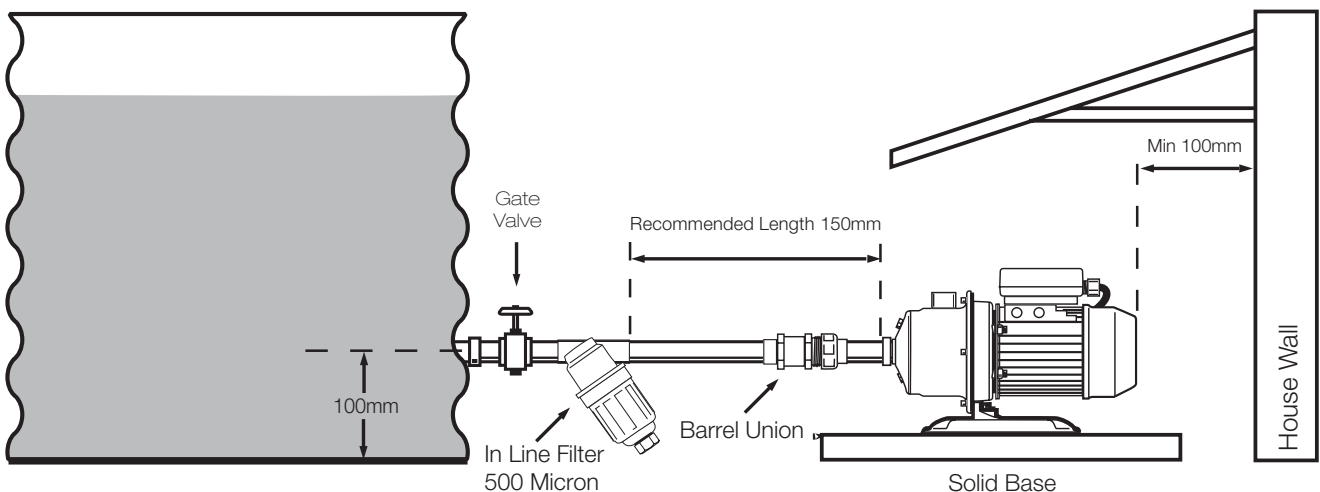
This is the most important part of the installation as errors will cause significant problems for the system in performance and longevity.

IMPORTANT: A gate valve must be installed at the tank outlets.

Installations where the tank base is below the pump



Installations where the tank base is level with the pump



To maintain optimum performance from your pump, the suction pipe should be:

- Kept to the shortest distance practical, but not shorter than the recommended length.
- Re-enforced crush resistant (non-collapsible) hose or pipe.
- All fittings should be air tight.
- Pipes should be equal to or larger than the diameter of the suction/inlet port.
- Optional: Fitted with a suction Strainer/Filter

In-line strainers/filters are only recommended for pumps fitted with Minipress or PressControl. Regular maintenance is required to keep them clean and provide maximum pump pressure.

7. Discharge

The length and diameter of the discharge hoses/pipes will affect the pressure and flow rate at which your pump operates. Pressure ratings of all components must exceed the maximum pressure of the pump by an appropriate safety factor. All pipework should be supported independently of the pump.

Connect the fitting at the top of the pressure controller (1" BSP Male) to the household plumbing or garden taps*.

*If you want to test that the pump is operating correctly prior to having the plumbing connected, attach a hose with a trigger nozzle to the top of the pressure controller.

8. Pump Priming

Ensure that there is at least 200mm of water in your tank, (i.e. that the tank outlet is covered, and the pump will not draw any air into the system). Open the gate valve on the tank. Check for any leaks, and repair these if necessary.

If no leaks are present, remove the priming plug to open the priming port on the top of the pump case.

If the tank is above the level of the pump, water will start to run out of this port. Replace the priming plug carefully. Your pump is now ready to run. (Note: If a check valve is installed in the suction line, water may not fill the pump. If this occurs, follow the instructions below).

If the tank water level is below the level of the pump, you will need to fill the pump body and suction line. Remove the priming plug and fill the pump body and suction line using a funnel.

9. Electrical Installation

The pump is supplied with a interconnection appliance coupler and standard Australian 10 Ampere plug and cord. Connection to the power supply is a matter of inserting the plug into the suitable socket outlet. Before plugging the power supply cord into the socket outlet, connect the pump to it using the provided IEC appliance connectors on the end of the interconnection cords. Ensuring there are no water traces on the connectors push them firmly into each other to ensure intended splash (water) proof protection. This connection shall be separated again only for service purpose and only after the power supply is removed by unplugging the cord from the socket outlet.

The socket outlet shall be in a dry and flood free location; preferably do not use extension cords for this very reason and because they can cause voltage drop.



Supply voltage outside limits specified in Model Data can cause motor overheat leading to overload tripping, reduced component life or seriously damage pump and voids warranty.

We recommend, for additional protection, the pump to be supplied from socket outlet protected by a residual current device – RCD (also known as an Earth Leakage Circuit breaker – ELCB) with a maximum rated residual current of 30mA.

Operation



The pump operator or owner must be provided with this owner's manual. This must be read before operation, and followed during operation.



Ensure that your pump is filled with water before operating.



The pump is designed to be used with clean water in a residential application. Do not use it with alternative fluids, specifically abrasive, corrosive or explosive fluids. Do not install or operate your pump in an explosive environment or near combustible matter.



Fire and burn hazard. Modern motors run at high temperatures. To reduce risk of fire, do not allow leaves, debris, or foreign matter to collect around the pump motor. To avoid burns when handling the motor, let it cool for at least 20 minutes before trying to work on it. A thermal overload switch protects the motor for heat damage during operation.



DO NOT RUN PUMP DRY

Ensure that your pump is filled with water before operating

1. Start-up / Operation

Priming

Prime the pump through the top priming plug port or outlet so that the pump and suction line are full. Discharge pipework attached, turn pump on and allow to operate until primed and all air is flushed out of suction and discharge lines.

JMM, JSM & JSP Models only

When the power is turned on, the pump will start, and stop as soon as it has pressurised the system it is connected to. If the pump does not start, press

the 'restart' button on the front of the pressure controller. Open a tap, (or garden hose nozzle) and the pump should start and deliver water. When the tap is closed, the pump will stop once pressure is built up in the system. The system is now working correctly.

If no water is delivered, check the troubleshooting section on Page 14 of this manual, and additionally, refer to the pressure controller installation and operating instructions packaged with the controller.

JSK Models only

2. Pressure Switch

The Pressure Switch should be screwed onto the 3/4" port on the 5 way tee. No sealing tape should be necessary and the locknut should only be just over handtight to seal.

All pressure switches are factory set and will suit most domestic requirements but may require further adjustment accordingly to individual installations.

3. Aqua Packs

Aqua Packs must be charged with air before installation. The air pressure used should be 10% lower than the pressure switch cut-in setting of the pump, (e.g. a pump working on 20-40 psi should have a tank air charge of 18 psi.)

Aqua Packs should be installed under cover, out of the weather, and the air pressure should be regularly maintained.

4. Aqua Pack Tank Recharge Procedure

The air charge should be checked at least once a year as tanks gradually lose air which causes pump cycling and pressure switch setting problems.

To check air pressure, turn off the electricity to the pump. Turn off the gate valve from the water supply. Turn on a tap so that the water is drained from the pump. Only then, measure the air pressure in the tank using a tyre pressure gauge on the valve. If the pressure is low, recharge using a tyre pump. Do not over charge the tank with air as this will cause tank liner damage, pressure surge problems and/or the system to malfunction.

False readings can be obtained when checking the air pressure unless the pressure tank is completely empty of water. If in doubt, turn off water supply, drain discharge line and then disconnect the tank from the pipe work. When the air pressure is correct, re-install the tank, open gate valve from the supply tank and turn on the electricity. The pump should now operate normally once any air is purged from the lines.

Service and Maintenance



Pump should only be serviced by qualified personnel. For best results, use only genuine service parts. Be sure to prime pump before starting.



To avoid dangerous or fatal electrical shock hazard, turn OFF power to motor and remove plug from power outlet before working on pump or motor.



Liquid may be HOT, release pressure with care before servicing.

1. General Care and Maintenance

No lubrication or regular maintenance is needed beyond reasonable care. When pump is not in use for a long period of time, empty the pump, rinse it with clean water and place it in dry storage.

In order to prevent possible failures, it is advisable to periodically check the pressure supplied and power absorption. A decrease in pressure is a symptom of wear. An increase current absorption is a sign of abnormal mechanical function in the pump and/or motor.

Troubleshooting

Symptom	Cause	Remedy
Pump does not Start	No Electricity	Ensure that the pump is connected to a live outlet. Check Circuit breakers and Fuses
	Pressure Controller has detected that there is not water in tank.	Check that there is enough water in the tank, then press the “reset” or “Start” button on the pressure controller.
	Pump is blocked	Disconnect the pump from the power outlet, and check the pump housing and discharge for foreign matter.
	Defective Capacitor	Call qualified service technician
Pump will not stop, even though there is no taps open.	Debris is caught in the pressure controller	Take the pressure controller to your Onga dealer for service.
	There are leaks in the household plumbing	Find and fix leaks
No Water From Pump	Pump is not primed	Ensure that pump body and suction line are filled with water before starting.
	Suction line is leaking	Check the suction line for leaks especially at joints.
	Blockages in the pump or discharge	Disconnect the pump from the power outlet, and check the pump housing and discharge for foreign matter
	Valves Closed	Check all valves on the tank, pump, and outlets.
	Not enough water in the tank to pump.	Wait until there is more water in the tank. Press the ‘reset’ or ‘start’ button on the pressure controller.
	Pump does not produce enough pressure	Check and clean pump
	Pressure Switch is out of adjustment	Check system pressure and adjust accordingly
	In-Line filters or tap filters are blocked	Clean filters

Pump Runs Intermittently	There are small leaks in the household plumbing	Find and fix leaks
	Water Temperature is too high	Ensure the water temperature limits are observed
	Voltage is outside allowable limits (see specifications)	Check voltage level being delivered, and correct where necessary
	Not enough air flow to cool motor	Provide adequate ventilation to motor cooling fan
Poor Performance - low pressure or flow.	Suction line is leaking	Check the suction line for leaks, especially at joints
	Tank water level is too far below the pump.	Talk to your Onga dealer about a better pump for your situation, or move the pump closer to tank.
	Pump is worn or damaged	Ask your Onga dealer to investigate worn parts.

Should problems persist, contact your nearest Onga Service Agent.

Notes

Pentair Water Product Warranty

Pentair Water warrants that, when this product is used for the purpose it was designed, is correctly housed and vented against weather, vermin, dust etc., that it will be free of material and manufacturing defects at the time of the original purchase. **This warranty is limited to the cost of the product and does not cover third party costs including the costs of electricians, plumbers, etc. unless authorised by Pentair Water.**

TERMS AND CONDITIONS APPLICABLE INTERNATIONALLY

How long the warranty is effective Internationally

1) This Pentair Water product is warranted for 12 months for all parts from the date of the first consumer purchase. Should any parts fail as a result of such defects within the specified period, the part will be replaced free of charge. (This does not include travel charges, removal and reinstallation charges.)

TERMS AND CONDITIONS APPLICABLE IN AUSTRALIA AND NEW ZEALAND

- 1) YOU SHOULD CAREFULLY READ THE INSTRUCTIONS SUPPLIED PRIOR TO USING THIS PENTAIR WATER PRODUCT.
This product is to be installed and operated in accordance with the instructions provided. This warranty will not apply if it is used in a manner other than in accordance with the instructions.

What the warranty covers:

Pentair Water warrants its products to be free of defects in material and workmanship during the warranty period. If a product proves to be defective in material or workmanship during the warranty period, then Pentair Water will, at its sole option repair or replace the product with a like product. Replacement product or parts may include re-manufactured or refurbished parts or components.

How long the warranty is effective:

- 1) This Pentair Water product is warranted for 24 months for all parts from the date of the first consumer purchase.
- 2) Authorised workshop labour will be free of charge for the first 12 month period from date of the first consumer purchase when unit is found to have failed due to defective workmanship or material supplied by Pentair Water Australia.
Infield service by an authorised Pentair Water Service Agent will incur a travel, removal & reinstallation fee payable by customer.
- 3) Where this Pentair Water product is sold for commercial application as defined in the relevant Trade Practices and Consumer Protection legislation the warranty shall be for a period of six months from the date of purchase by the end user.

Who the warranty protects:

This warranty is valid only for the consumer purchaser.

What the warranty does not cover:

- 1) Damage, deterioration or malfunction resulting from:
 - a) accident, misuse, negligence, fire, water, lightning, or other acts of nature, unauthorised product modification or failure to follow instructions supplied with the product;
 - b) repair or attempted repair by anyone not authorised by Pentair Water;
 - c) any damage to the product due to shipment;
 - d) removal or installation of the product;
 - e) causes external to the product such as electric power fluctuations or failure;
 - f) use of supplies or parts not meeting Pentair Water specifications;
 - g) normal wear and tear;

Pentair Water Product Warranty (Continued)

- h) water ingress or exposure to abnormal corrosive conditions or "run dry" conditions;
 - i) any other cause which does not relate to a product defect.
- 2) Damage caused to the product as a consequence of use of another manufacturer's product used in conjunction with Pentair Water and affiliate companies.
 - 3) Ingress of insects into the unit causing electrical malfunction is not warranted, care should be taken to avoid this occurrence.

Spare Parts:

Spare parts are usually stocked for a reasonable period of time following last production.

Pentair Water does not warrant that spare parts will be made available for the whole of the reasonable period and reserves its right to cease supplying spare parts or providing facilities for repair of spare parts in circumstances which are beyond its control including the requirement to remove spare parts from sale as a consequence of changes in the law or otherwise as it deems fit.

How to get service:

In Australia please contact 1800 664 266 In New Zealand please contact 0800 664 269

Claims under this warranty must give evidence of date of purchase, model and serial number of the product and the claimants name, address and telephone number.

- 1) To obtain warranted service, you will be required to provide to either Pentair Water state office or recommended service agent:-
 - a) the product;
 - b) confirmation in writing specifying the nature of your claim;
 - c) proof providing date of original purchase;
 - d) full contact details including name and address;
 - e) the serial number of the product if any.
- 2) The product is to be forwarded by the customer freight paid to an Authorised Pentair Water service agent.
- 3) Warranty service work will be denied or suspended, on equipment not readily accessible to service personnel, that is products that are behind barriers, tiled or bricked in, installed in roofs or second story external walls including inaccessible power points.
- 4) Any service of any product which is found to be faulty due to abuse, fair wear & tear, misuse or improper installation will be charged to the owner at the service agents current servicing hourly rate.

Limitation of implied warranties:

THERE ARE NO WARRANTIES, EXPRESSED OR IMPLIED, WHICH EXTEND BEYOND THE DESCRIPTION CONTAINED HEREIN INCLUDING THE IMPLIED WARRANTY OF MERCHANTABILITY AND FITNESS FOR A PARTICULAR PURPOSE.

Exclusion of damages:

PENTAIR WATER'S LIABILITY IS LIMITED TO THE COST OF REPAIR OR REPLACEMENT OF THE PRODUCT. ONGA SHALL NOT BE LIABLE FOR:

- 1) DAMAGE TO OTHER PROPERTY CAUSED BY ANY DEFECTS IN THE PRODUCT, DAMAGES BASED UPON INCONVENIENCE, LOSS OF USE OF THE PRODUCT, LOSS OF TIME, LOSS OF PROFITS, LOSS OF BUSINESS OPPORTUNITY, LOSS OF GOODWILL, INTERFERENCE OF BUSINESS RELATIONSHIPS, OR OTHER COMMERCIAL LOSS, EVEN IF ADVISED OF THE POSSIBILITY OF SUCH DAMAGE.
- 2) ANY OTHER DAMAGES, WHETHER INCIDENTAL, CONSEQUENTIAL OR OTHERWISE.
- 3) ANY CLAIM AGAINST THE CUSTOMER BY ANY OTHER PARTY.

Effective law:

This warranty gives you specific legal rights, and you may also have other rights which vary from state to state. Nothing in this warranty limits or restricts, or is intended to derogate from, any right or remedy which the purchaser or ultimate user of the product may have pursuant to Australian state and/or Australian federal consumer protection legislation, New Zealand Sale of Goods Act, Consumer Guarantees Act, Fair Trading Act or any other relevant and applicable New Zealand legislation or authority and where necessary shall so be read and construed.

IMPORTANT

Please attach your sales invoice/docket here as proof of purchase should warranty service be required.

Please do not return Warranty - Retain for your records.

Purchased From

Purchase Date..... Serial No..... Model No.....



**Pentair
Water**

**Pacific
Australia**

Head Office

Pentair Water Australia Pty Ltd
Notting Hill Victoria, Australia
Tel: +61 3 9574 4000 Fax: +61 3 9562 7237
Email: Sales@pentairwater.com.au
www.pentairwater.com.au



Pentair Water New Zealand Ltd

Penrose Auckland New Zealand
Tel: +64 9 579 6254 Fax: +64 9 579 6497
Email: auckland@pentairwater.com.au

Americas

Pentair, Inc.

www.pentair.com

Europe

Pentair Pumps S.p.A
www.Pentairpumps.it

Asia

China

www.pentairwater.com

India

www.pentairwater.com

© information contained here-in remains the property of Pentair Water Pty Ltd. Any reproduction, display, publication, modification or distribution is strictly prohibited without the prior written permission of Pentair Water Pty Ltd.

Disclaimer: Every endeavour has been made to publish the correct details in this owner's manual. No responsibility will be taken for errors, omissions or changes in product specifications. Pentair Water reserves the right to change specifications